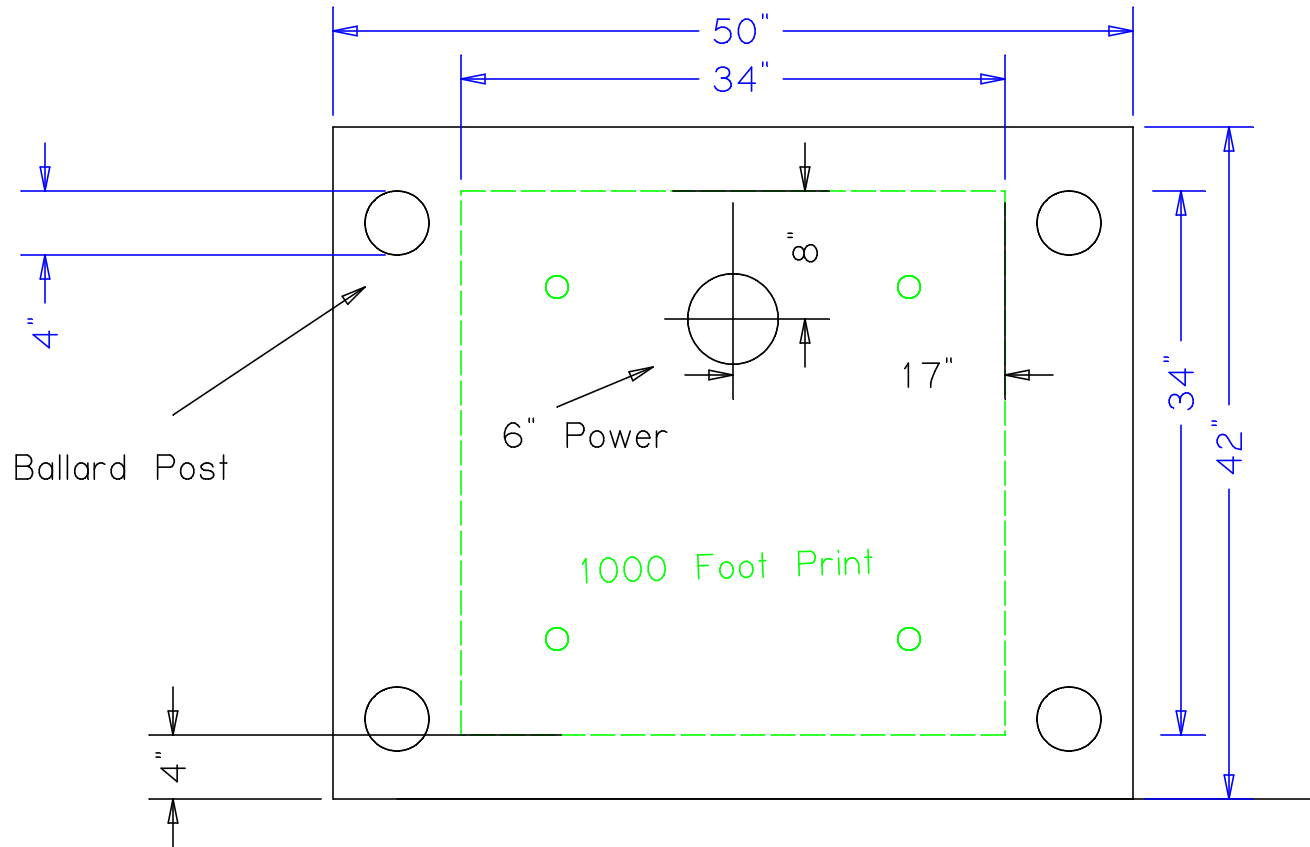


PAD Recommendation for 1000



FRONT ELEVATION